

WAC 296-806-20042 Make sure guards meet these requirements. (1)

You must make sure guards do **not** create additional hazards such as sharp edges or pinch points between the guard and moving machine parts.

(2) You must make sure guards are:

(a) Made of durable materials.

(b) Strong enough to withstand the forces to which they are exposed.

(c) Securely fastened to the machine, if possible, or to the building structure if they cannot be attached to the machine.

(3) You must make sure guards protect employees by doing **both** of the following:

(a) Preventing hands or other body parts from reaching through, over, under, or around the guard into the hazard area; and

(b) Preventing objects or debris from falling onto or being thrown towards an employee.

(4) You must make sure barrier guards:

(a) Are properly installed, adjusted, and maintained.

(b) Have no opening at any point larger than shown in Table 200-1, Largest Allowable Guard Opening.

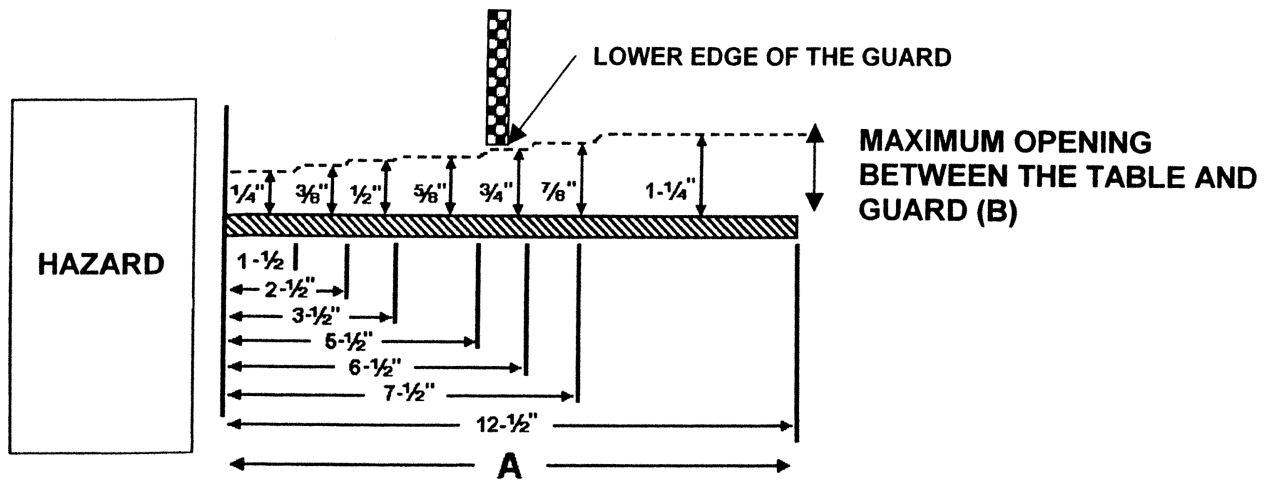
Reference: Metal cutting shears are allowed to be guarded with properly applied awareness barrier safeguarding as described in ANSI B11.4-1993, Sections 6.3.3.

**Table 200-1
Largest Allowable Guard Opening (inches)**

If the distance (A) from hazard to the guard is:	Then the opening (B) in the guard or between the table and the guard can NOT be greater than:
1/2 to 1 1/2	1/4
1 1/2 to 2 1/2	3/8
2 1/2 to 3 1/2	1/2
3 1/2 to 5 1/2	5/8
5 1/2 to 6 1/2	3/4
6 1/2 to 7 1/2	7/8
7 1/2 to 12 1/2	1 1/4
12 1/2 to 15 1/2	1 1/2
15 1/2 to 17 1/2	1 7/8
17 1/2 to 31 1/2	2 1/8
Over 31 1/2	6

This diagram illustrates the information found in Table 200-1. The size of the opening in the guard, or between the bottom edge of the guard and the feed table is small enough to prevent any part of the operator's body from reaching the hazardous area.

Illustration #1 - Distance from hazard to Guard (A)



[Statutory Authority: RCW 49.17.010, 49.17.040, 49.17.050, 49.17.060. WSR 15-24-102, § 296-806-20042, filed 12/1/15, effective 1/5/16; WSR 04-14-028, § 296-806-20042, filed 6/29/04, effective 1/1/05.]